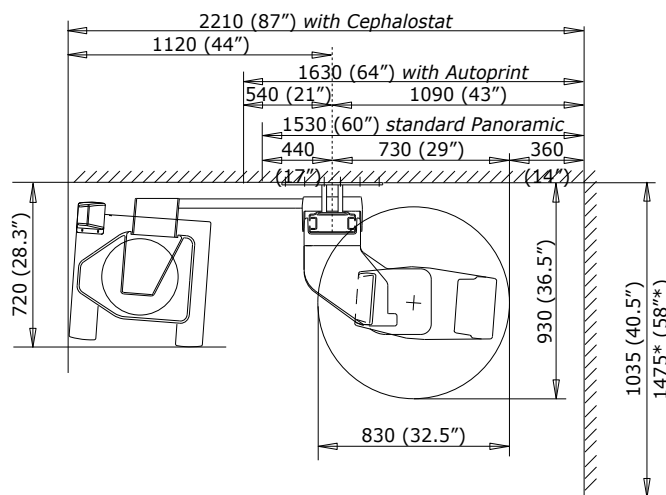
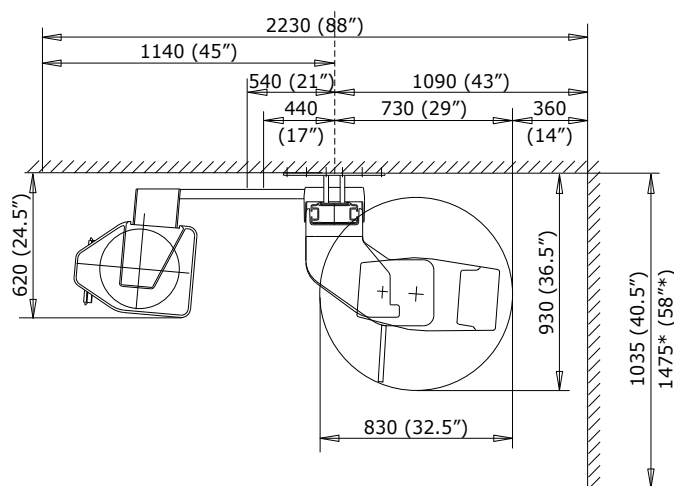
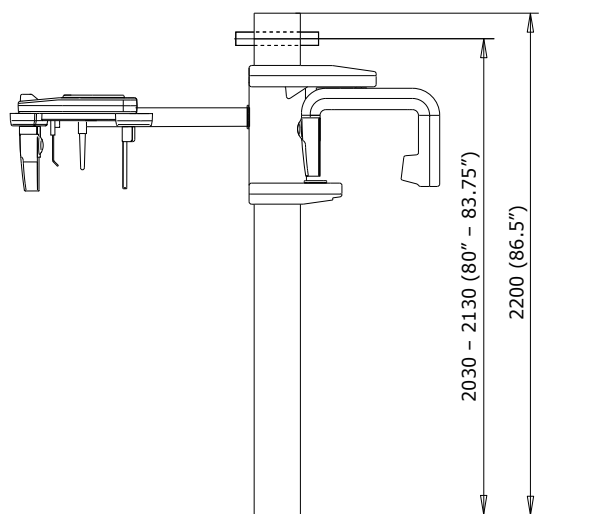
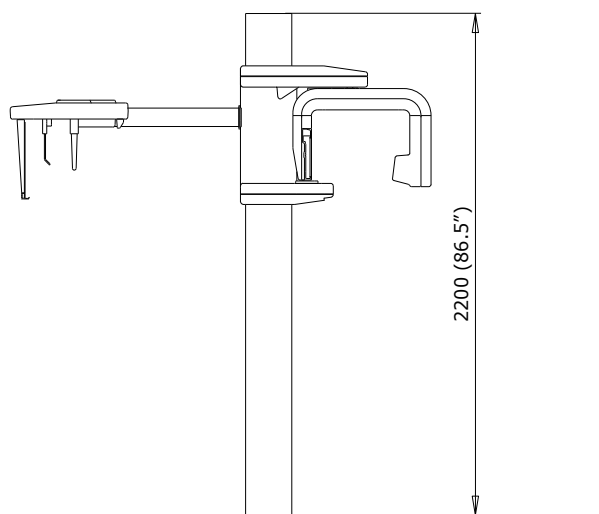


dimensions

space requirements

Planmeca Proline XC with film-based Cephalostat

Planmeca Proline XC with digital Cephalostat



	Physical space requirements			Weight
	Width	Depth	Height	
Planmeca Proline XC Panoramic	153 cm (60 in.)	103.5 cm (40.5 in.)	220 cm (86.5 in.)	108 kg (lbs 237)
Planmeca Proline XC Panoramic with Autoprint	163 cm (64 in.)	103.5 cm (40.5 in.)	220 cm (86.5 in.)	112 kg (lbs 249)
Planmeca Proline XC with Cephalostat	223 cm (88 in.)	103.5 cm (40.5 in.)	220 cm (86.5 in.)	126 kg (lbs 278)

