

**MINRAY<sup>®</sup>**

Intraoral  
X-ray unit with  
extendable arm



# Strengths built from experience



- Company tradition of reliability
- High image quality
- Consistent diagnostic results
- DC output for reduced soft radiation
- Simple operating controls
- Easy tubehead positioning
- Arm reach can be set to your needs



# True diagnostic value

The high frequency constant potential technology improves image quality and is not affected by line voltage fluctuations. The constant potential technology delivers harder, more highly energized radiation and reduces the amount of soft radiation compared to conventional AC generators.

MINRAY is compatible with all digital imaging systems based on imaging plates (i.e. DIGORA) or CCD sensor technology.



# Clear and easy operating controls

## Very clear and easy to use

MINRAY control panel provides pre-programmed exposure settings for adult and child, choice of 60 and 70 kV for optimized contrast, film and digital modes and exposure time range between 0.02 and 3.2 seconds. It's also easy to choose your own exposure settings and efficiently store them to memory.



*The user-friendly control panel can be installed in the wall box or be remote mounted in almost any location. The remote mounted control panel has a specific Push-bar exposure switch.*

# Advanced ergonomics

## **Specially designed tubehead handle makes tubehead positioning precise and easy**

MINRAY has a steady arm system that allows you to move the arm smoothly and keeps the tubehead motionless during exposure. The tubehead handle allows one-hand movement of the tubehead and enables fast and easy positioning.



# Versatile arm reach

**This unique feature allows the arm reach to be set to your versatile needs**

MINRAY's extendable horizontal arm system gives you freedom of choice! You don't need to choose horizontal arm length in advance. The arm length will be adjusted and fixed at the time of installation in your practice and it can be readjusted later if needed. Extendable adjustment gives versatile arm reach for your practice!







# Tradition of reliability



The MINRAY on its Mobile Stand is ideal for sharing between different users in the same dental office or clinic. The Mobile MINRAY can also be conveniently stored out of the way when it is not in use. It can be easily moved through doors to where it is needed and the castors can be locked for secure positioning.

## Technical specifications

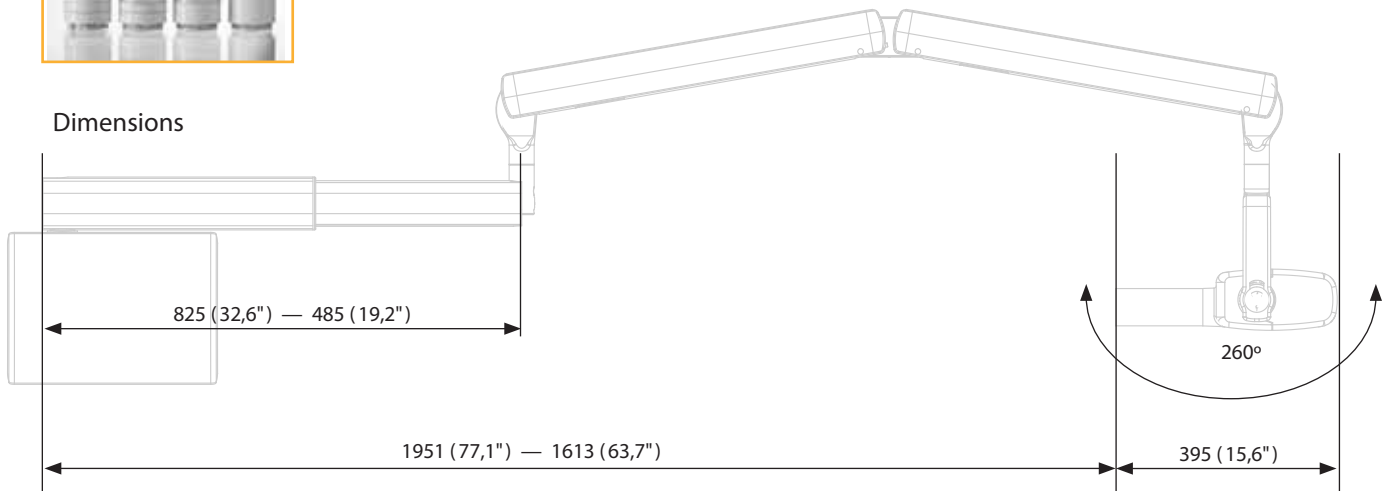
Generator	Tube voltage	Tube current	Focal spot	Line voltage
Constant potential (high voltage DC, 100-200kHz)	60 or 70kV	7 mA	0.7 mm to IEC 60336	115/230 VAC +/- 10%, 50/60 Hz

Filtration	Anode current	Exposure time range	Fuse range	Power consumption
2 mm Al	10 mA (8 mA @ 0.4)	0.02 - 3.2 seconds	5A / 230 VAC 8A / 115 VAC	1080 VA / 230 VAC 910 VA / 115 VAC

Beam limiting cones	Installation	Weight
Dimensions: Round Ø 60mm (2.36") Rectangular 35 x 45mm (1.38" x 1.77") SSD (Source-Skin Distance): Standard cone 229 mm (9") Long cone 305 mm (12")	Wall mount for single stud or 406 mm (16") Center stud installation	30 kg



### Dimensions



MINRAY®, CRANEX® and DIGORA® are registered trademarks of SOREDEX, PaloDex Group Oy. Other product names and trademarks are the property of their respective owners. CE marked, NB (CE) number 0537. Electric safety according to IEC 60601-1. Manufacturing complies with ISO 13485:2003, ISO 9001:2000 and ISO 14001:2004.

SOREDEX reserves the right to make changes in specification and features shown herein at any time without notice or obligation. Contact your SOREDEX representative for the most current information.

© 2006 SOREDEX

72048-1

SOREDEX designs, develops, manufactures and markets dental imaging systems, with an emphasis on innovative digital solutions. Operating worldwide, SOREDEX offers quality imaging systems of true diagnostic value, based on an in-depth understanding of the dental practice. Applying three decades of experience of imaging excellence, we offer reliable and easy-to-use solutions that help you focus on patient care.

SOREDEX digital imaging systems are innovative and accurate diagnostic tools that integrate seamlessly and easily into a dental practice, enhancing the imaging process and improving workflow. Our systems are designed to be simple and easy to use. They will make your dental practice more efficient and ultimately give you more time for your patients.

SOREDEX stands for innovation and value in dental x-ray technology.

#### Head Office and Factory:

**SOREDEX**  
Nahkelantie 160, Tuusula  
P.O. Box 148, FI-04301 Tuusula  
Finland  
Tel. +358 45 7882 2000  
Fax +358 9 701 5261  
[info@soredex.com](mailto:info@soredex.com)

#### Subsidiary, SOREDEX USA

300 W. Edgerton Ave.  
Milwaukee, WI 53207 U.S.A.  
Tel. +1 800 235 8854  
Fax +1 414 481 8665  
[info@soredexusa.com](mailto:info@soredexusa.com)

#### Subsidiary, SOREDEX Germany

Siemensstrasse 12  
D-77694 Kehl  
Germany  
Tel. +49 7851 93 29 0  
Fax +49 7851 93 29 30  
[kontakt@soredex.de](mailto:kontakt@soredex.de)

